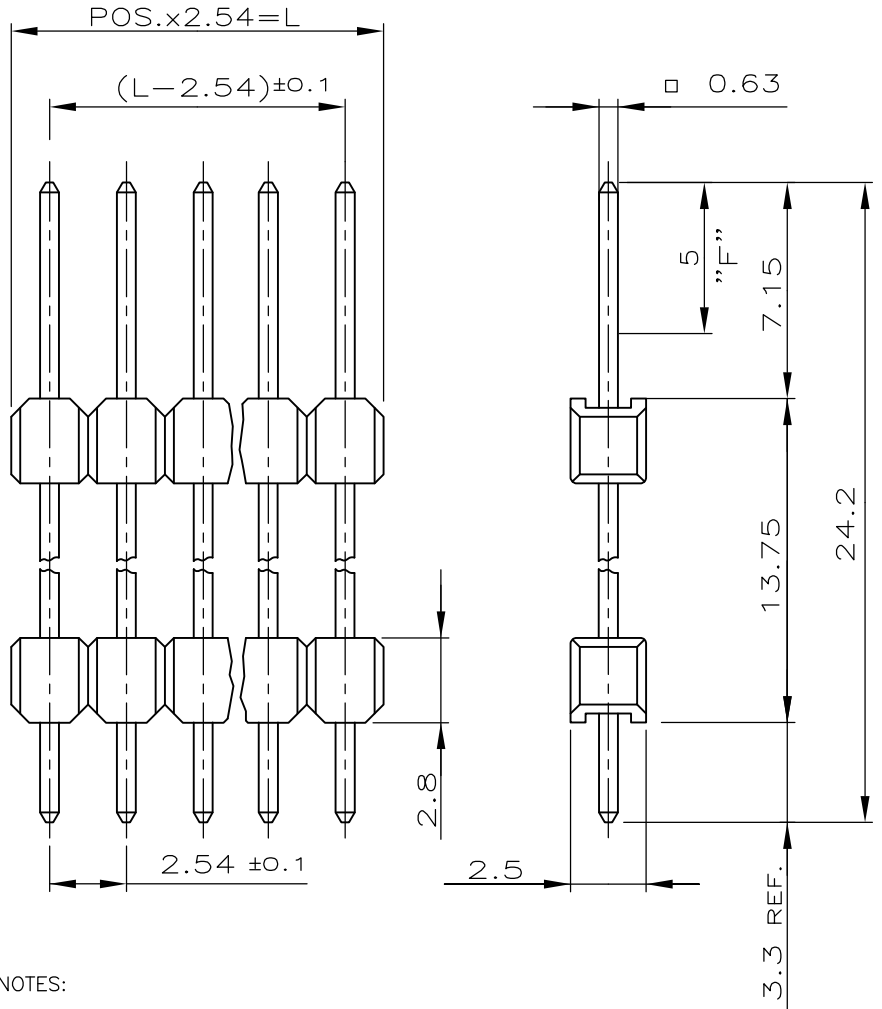


LOC	DIST	REVISIONS					
—	—	P	LTR	DESCRIPTION	DATE	DWN	APVD
		G		CONTACT PIN MATERIAL AND PLATING CHANGE	18JUL2014	KJK	JK

POS.	L±0.3	PART NUMBER	
—	—	—	
2	5.08	827 730 2	
3	7.62	3	
4	10.16	4	
5	12.70	5	
6	15.24	6	
7	17.78	7	
8	20.32	8	
9	22.86	9	
10	25.40	1-	-0
11	27.94	2 1	-1
12	30.48	2 1	-2
13	33.02	1-	-3
14	35.56	2 1	-4
15	38.10	1-	-5
16	40.64	3 1	-6
17	43.18	1-	-7
18	45.72	2 1	-8
19	48.26	2 1	-9
20	50.80	2-	-0
21	53.34	2 2	-1
22	55.88	2 2	-2
23	58.42	2-	-3
24	60.96	2-	-4
25	63.50	2 2	-5
26	66.04	2-	-6
27	68.58	2-	-7
28	71.12	2 2	-8
29	73.66	2-	-9
30	76.20	3-	-0
31	78.74	3-	-1
32	81.28	3-	-2
33	83.82	3-	-3
34	86.36	3-	-4
35	88.90	3-	-5
36	91.44	3-	-6
37	93.98	3-	-7
38	96.52	2 3	-8
39	99.06	3-	-9
40	101.60	2 4	-0
41	104.14	4-	-1
42	106.68	4-	-2
43	109.22	4-	-3
44	111.76	4-	-4
45	114.30	4-	-5
46	116.84	4-	-6
47	119.38	4-	-7
48	121.92	2 4	-8
49	124.46	4-	-9
50	127.00	5- 827 730 -0	



NOTES:

- 1 MATING SIDE: MIN. 0.7µm PdNi + MIN. 0.1µm GOLD FLASH BY AREA "F" OVER 1.27µm NICKEL  
SOLDER SIDE: MIN. 2.5µm TIN OVER 1.27µm NICKEL
- 2 OBSOLETE PARTS: OBSOLETE CIS STREAMLINING PER D.RENAUD/D.SINISI
- 3 OBSOLETE

CONTACT PIN	CuZn	1
PIN HOUSING	PBT	GREEN
DESCRIPTION	MATERIAL	FINISH
		COLOR

RELEASED FOR PUBLICATION

ALL RIGHTS RESERVED.

COPYRIGHT - By -

THIS DRAWING IS UNPUBLISHED.

DIMENSIONS: mm	DWN	31.08.89	MATERIAL	SEE TABLE	FINISH	SEE TABLE
	CHK	WRULICH				
TOLERANCES UNLESS OTHERWISE SPECIFIED:	APVD	SCHAAR.	TE Connectivity			
	PRODUCT SPEC	—				
0 PLC ±0.2 mm		108-18012	NAME	SPEC. AMPMODU II PIN HEADER		
1 PLC ± -			SIZE	CAGE CODE	DRAWING NO	RESTRICTED TO
2 PLC ± -			A4	00779	C-827730	—
3 PLC ± -			CUSTOMER DRAWING			SCALE
4 PLC ± -						4:1
ANGLES ± -						SHEET
						1 OF 1
						REV
						G

